



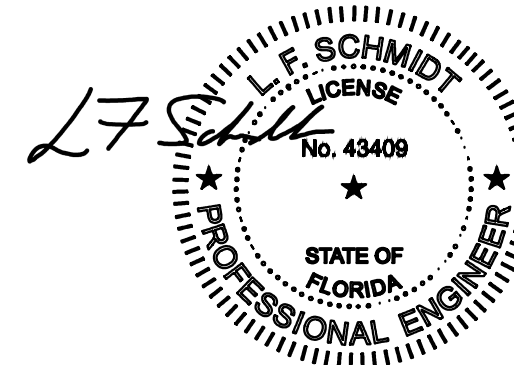
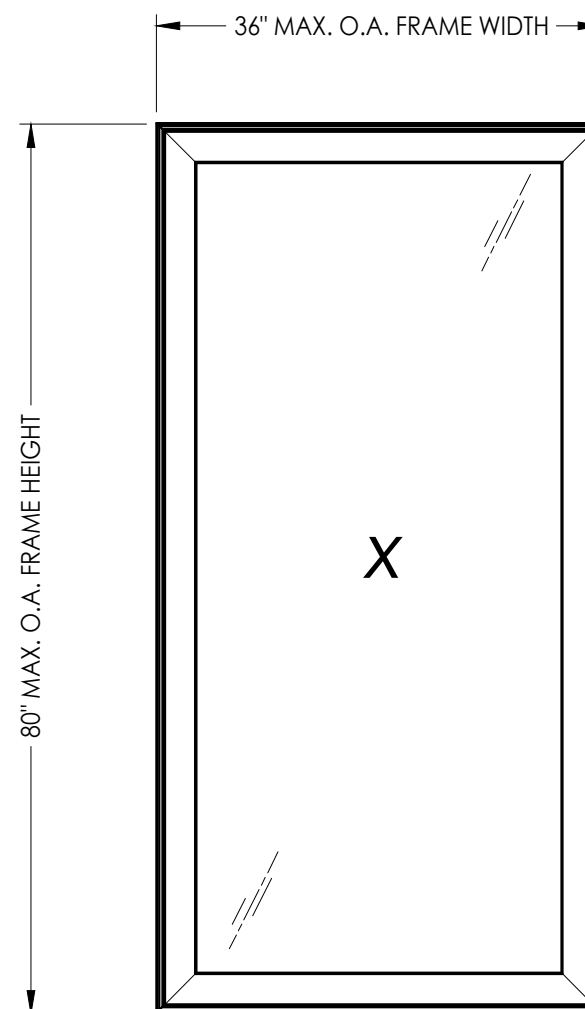
250 Staunton Turnpike, Parkersburg, WV 26104

# 8400 Series Vinyl Outswing Casement Window "NON-IMPACT"

### GENERAL NOTES

1. This product has been evaluated and is in compliance with the 8th Edition (2023) Florida Building Code (FBC) structural requirements excluding the "High Velocity Hurricane Zone" (HVHZ).
2. Product anchors shall be as listed and spaced as shown on details. Anchor embedment to base material shall be beyond wall dressing or stucco.
3. When used in areas requiring wind borne debris protection this product is required to be protected with an impact resistant covering that complies with FBC Sections 1609.1.2 & R301.2.1.2.
4. For 2x stud framing construction, anchoring of these units shall be the same as that shown for 2x buck masonry construction.
5. Site conditions that deviate from the details of this drawing require further engineering analysis by a licensed engineer or registered architect.

TABLE OF CONTENTS	
SHEET#	DESCRIPTION
1	Typical elevations, design pressures and general notes
2	Horizontal & vertical cross sections
3	Horizontal & vertical cross sections
4	Buck and frame anchoring
5	Bill of materials, components and glazing details



This item has been digitally signed and sealed by L. F. Schmidt, P.E. on the date adjacent to the seal. Printed copies of this document are not considered signed and sealed and the signature must be verified on any electronic copies.

THIS PRODUCT APPROVAL IS VALID ONLY FOR THE STATE OF FLORIDA

MAX. FRAME DIMENSION	MAX. D.L.O. DIMENSION	GLASS TYPE	DESIGN PRESSURE (PSF)	
			POSITIVE	NEGATIVE
36.0" X 80.0"	29.5" X 73.5"	G1	+40.0	-40.0
36.0" X 76.0"	29.5" X 69.5"	G1	+45.0	-45.0
36.0" X 80.0"	29.5" X 73.5"	G2	+65.0	-75.0

Documents Prepared By:  
Lyndon F. Schmidt  
P.E. No. 43409

PRODUCT: 8400 SERIES Vinyl Outswing Casement Window  
PART OR ASSEMBLY: TYPICAL ELEVATION, DESIGN PRESSURES & GENERAL NOTES

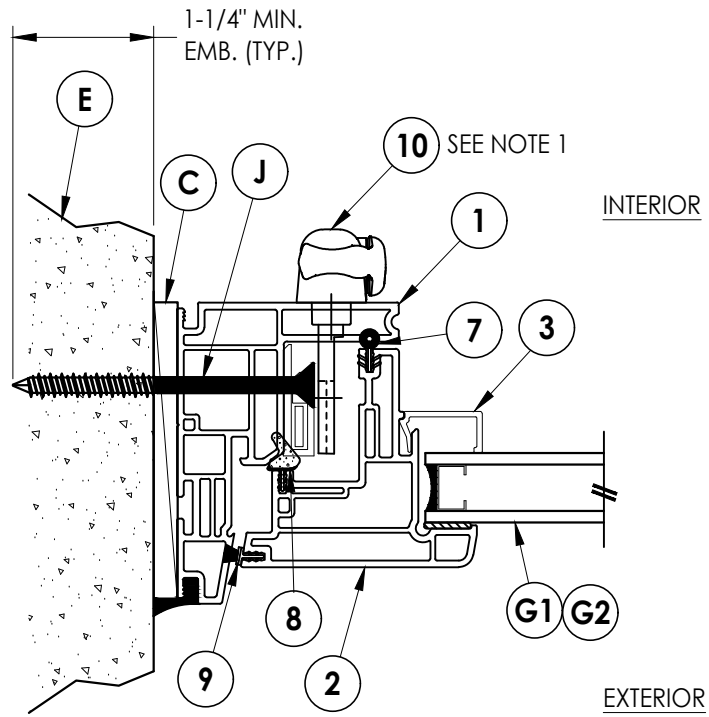
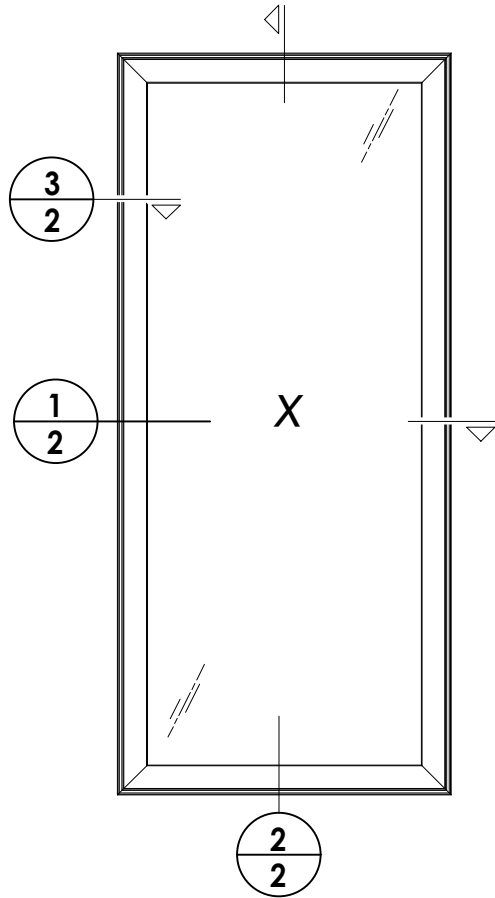
NO.	DATE	DESCRIPTION	BY
6	7/06/23	UPDATE TO 8TH ED. (2023) FBC	LFS
5	7/02/20	UPDATE TO 7TH ED. (2020) FBC	LFS
4	12/13/19	UPDATE FOR NEW TESTING	LFS
3	6/01/17	UPDATE TO 6TH ED. (2017) FBC	LFS
2	1/28/15	UPDATE TO 5TH ED. (2014) FBC	JK
1	4/04/13	UPDATED D.P./GLAZING	LFS
		REVISIONS	

DATE: 8/2/12  
SCALE: N.T.S.  
DWG. BY: JK  
CHK. BY: LFS  
DRAWING NO.: FL-15817.1  
SHEET 1 OF 5

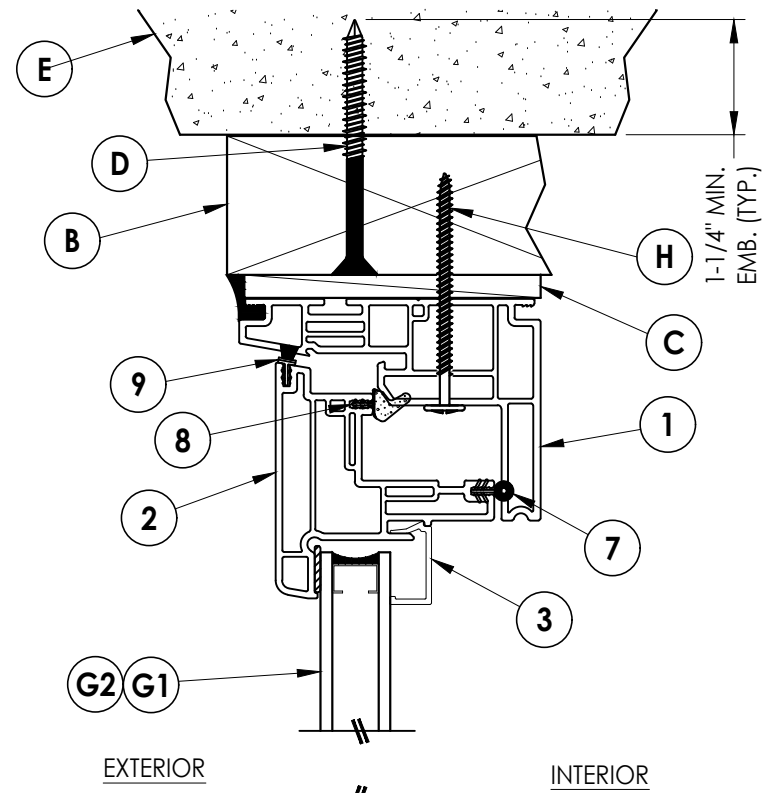
BUILDING CONSULTANTS, INC.  
P.O. Box 230, Vairico, FL 33595  
Phone No.: 813.659.9197  
FBPE Registry No. 9813

NOTE:

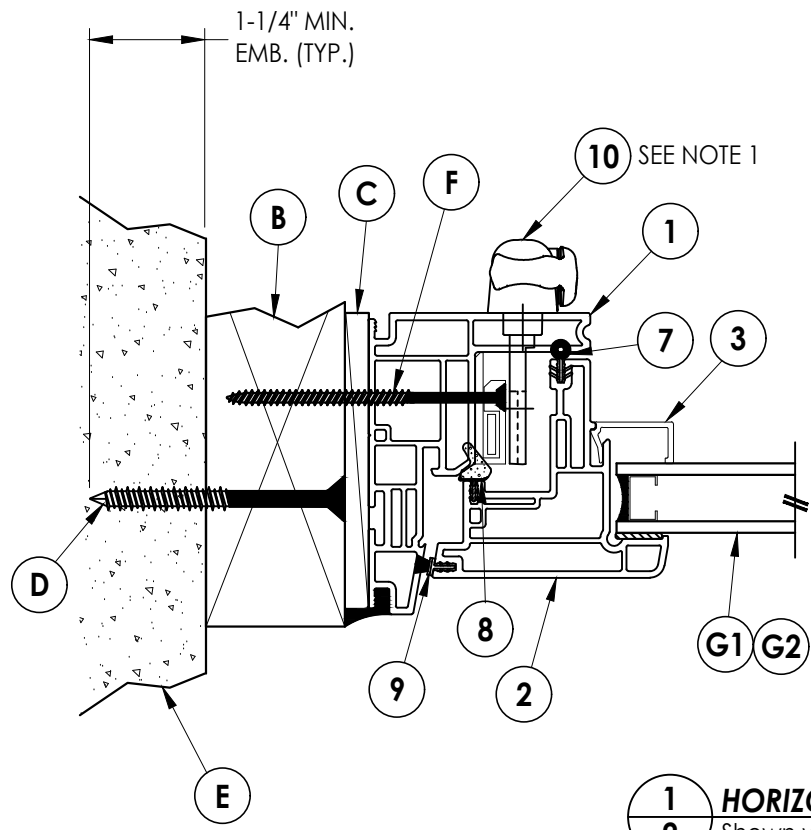
1. Multi-point locks/keepers (4) located at 5.5", 27.5", 50.5" and 73.5" from the bottom of sash.



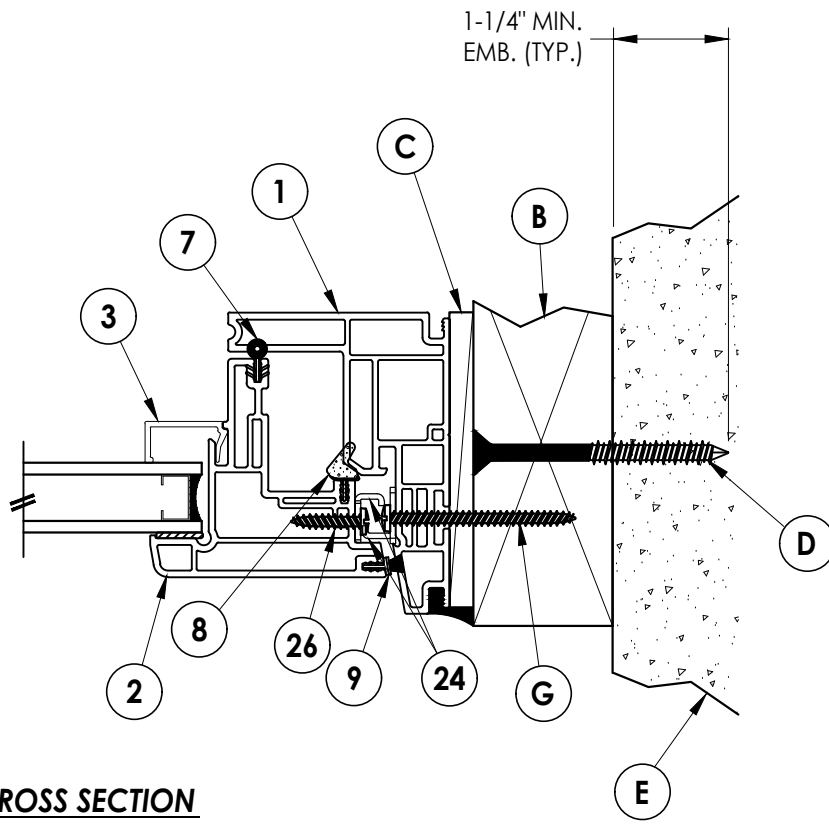
**3** HORIZONTAL CROSS SECTION  
**2** Shown Direct to Masonry



**2** VERTICAL CROSS SECTION  
**2** Shown w/ 2X Buck



**1** HORIZONTAL CROSS SECTION  
**2** Shown w/ 2X Buck



Documents Prepared By:  
Lyndon F. Schmidt  
P.E. No. 43409

**RW** BUILDING CONSULTANTS, INC.  
P.O. Box 230, Valrico, FL 33595  
Phone No.: 813.659.9197  
FBPE Registry No. 9813

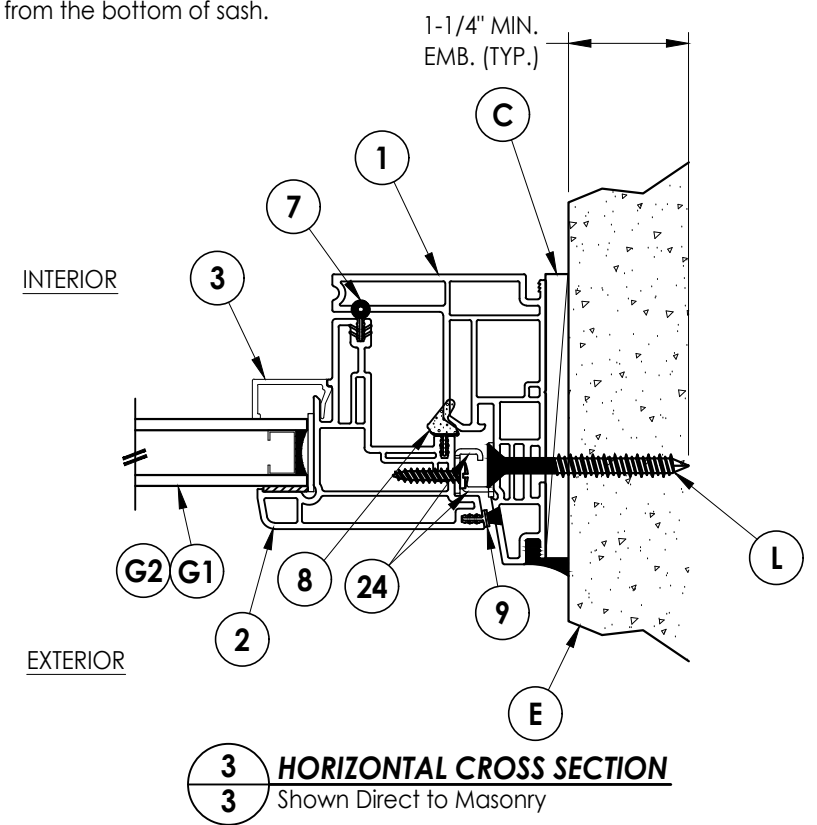
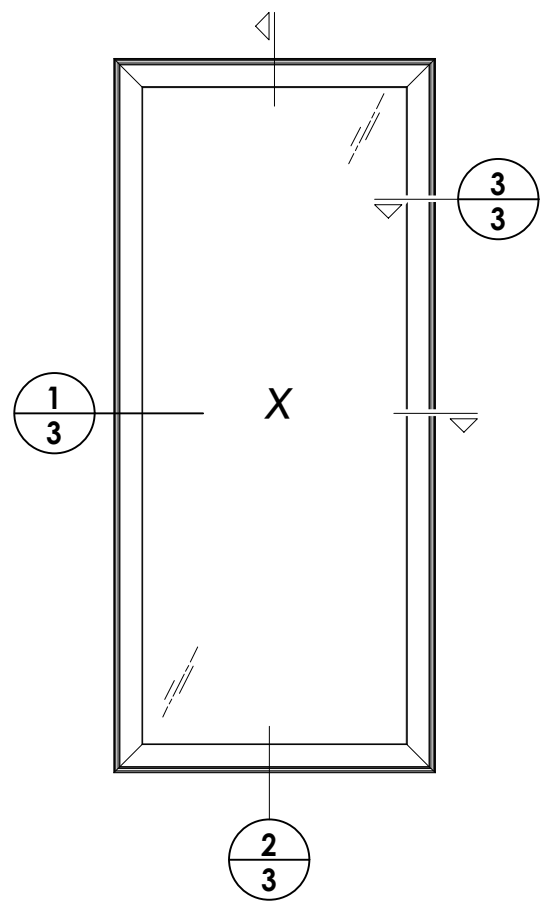
PRODUCT: 8400 SERIES  
Vinyl Outswing Casement Window  
PART OR ASSEMBLY:  
HORIZONTAL & VERTICAL  
CROSS SECTIONS

NO.	DATE	DESCRIPTION
6	7/06/23	UPDATE TO 8TH ED. (2023) FBC
5	7/02/20	UPDATE TO 7TH ED. (2020) FBC
4	12/13/19	UPDATE FOR NEW TESTING
3	6/01/17	UPDATE TO 6TH ED. (2017) FBC
2	1/28/15	UPDATE TO 5TH ED. (2014) FBC
1	4/04/13	UPDATED D.P./GLAZING

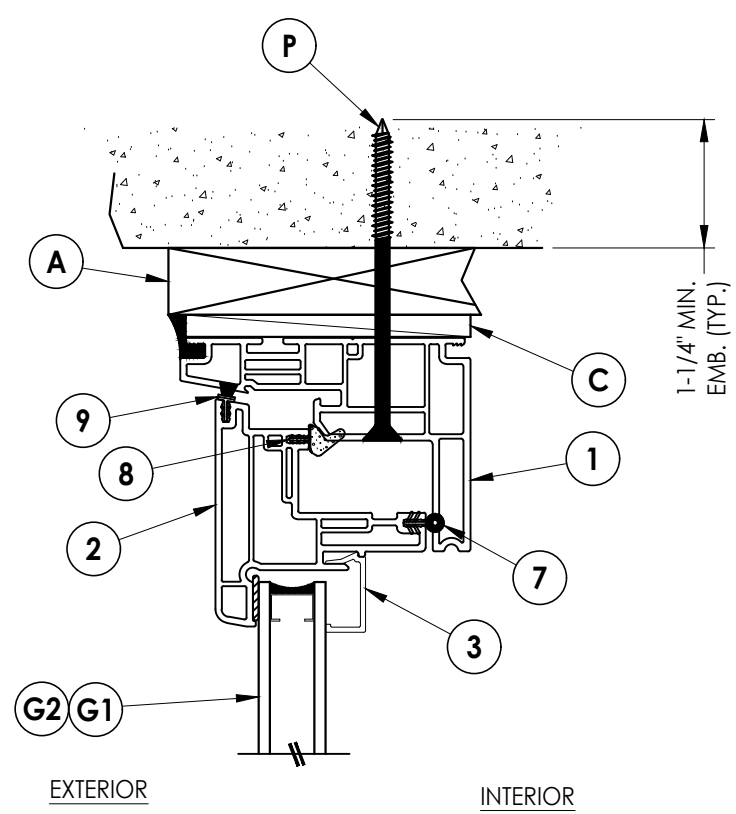
DATE: 8/2/12  
SCALE: N.T.S.  
DWG. BY: JK  
CHK. BY: LFS  
DRAWING NO.: FL-15817.1  
SHEET 2 OF 5

Z:\2023 FBC Drawings\Wincore Window Company\FL-15817 R8\FL-15817.1.dwg

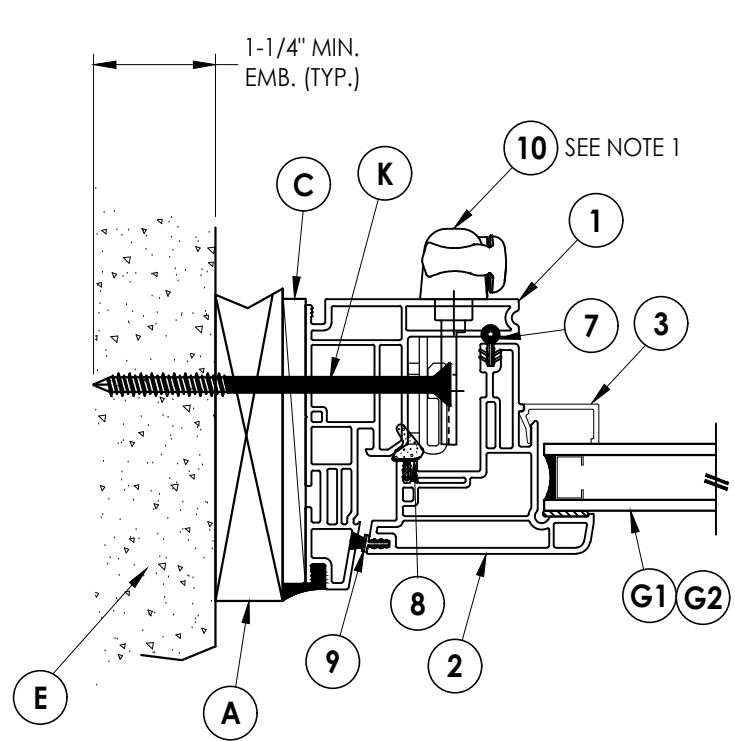
NOTE:  
1. Multi-point locks/keepers (4) located at 5.5", 27.5", 50.5" and 73.5" from the bottom of sash.



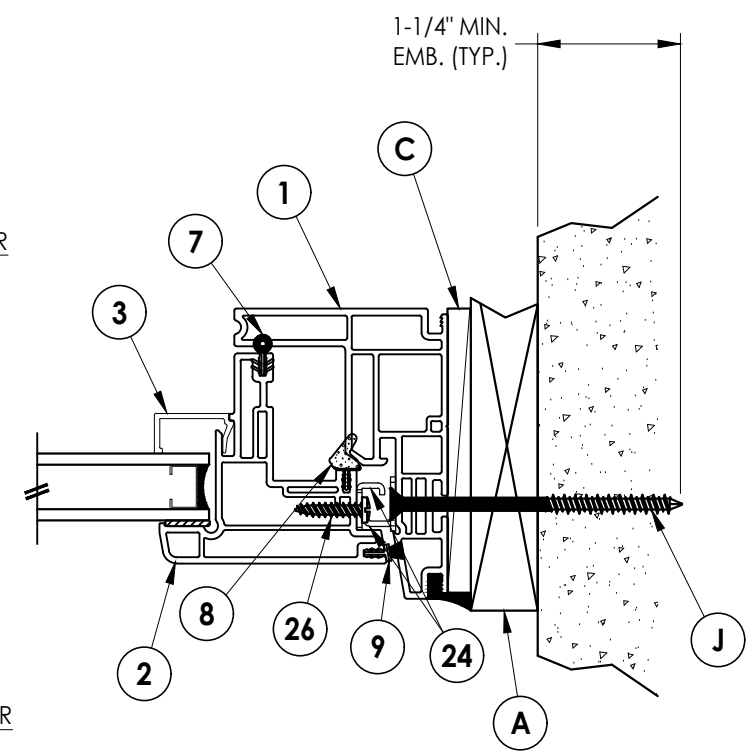
**3 HORIZONTAL CROSS SECTION**  
Shown Direct to Masonry



**2 VERTICAL CROSS SECTION**  
Shown w/ 1X Buck @ head & Direct to Masonry @ sill



**1 HORIZONTAL CROSS SECTION**  
Shown w/ 1X Buck



Documents Prepared By:  
Lyndon F. Schmidt  
P.E. No. 43409

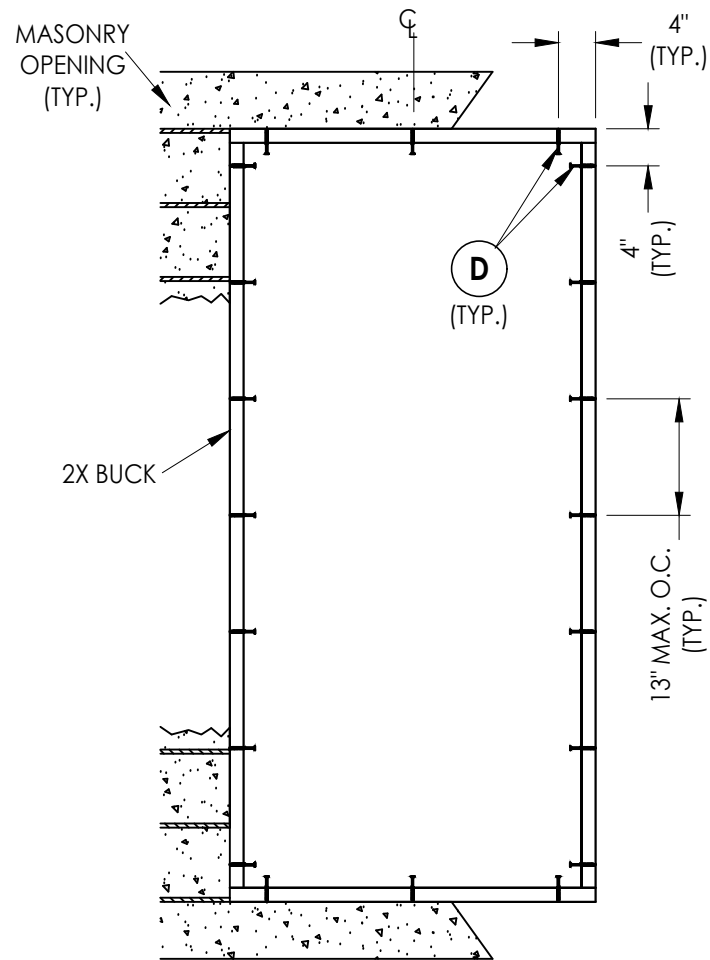
**RW** BUILDING CONSULTANTS, INC.  
P.O. Box 230, Valrico, FL 33595  
Phone No.: 813.659.9197  
FBPE Registry No. 9813

PRODUCT:  
8400 SERIES  
Vinyl Outswing Casement Window

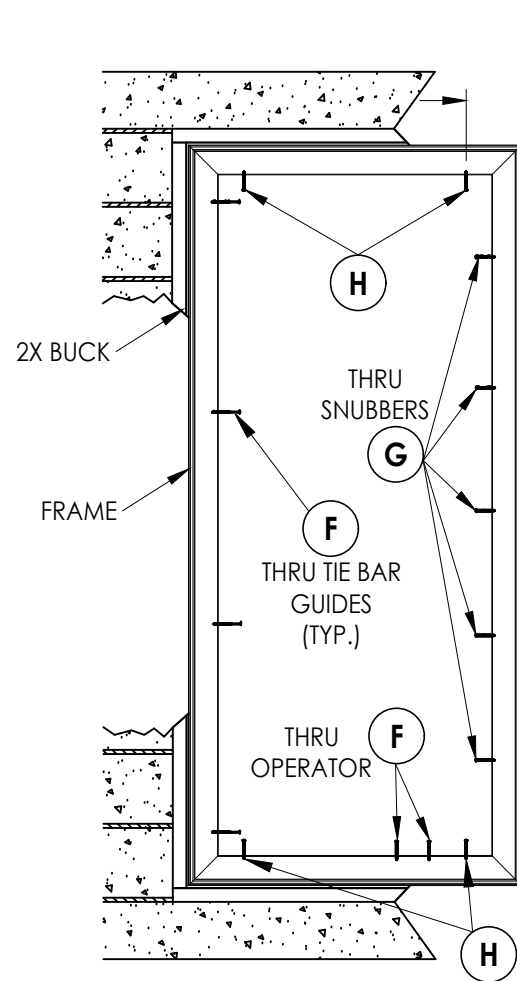
PART OR ASSEMBLY:  
HORIZONTAL & VERTICAL  
CROSS SECTIONS

NO.	DATE	REVISIONS	BY
6	7/06/23	UPDATE TO 8TH ED. (2023)	FBC
5	7/02/20	UPDATE TO 7TH ED. (2020)	FBC
4	12/13/19	UPDATE FOR NEW TESTING	LFS
3	6/01/17	UPDATE TO 6TH ED. (2017)	LFS
2	1/28/15	UPDATE TO 5TH ED. (2014)	JK
1	4/04/13	UPDATED D.P./GLAZING	LFS

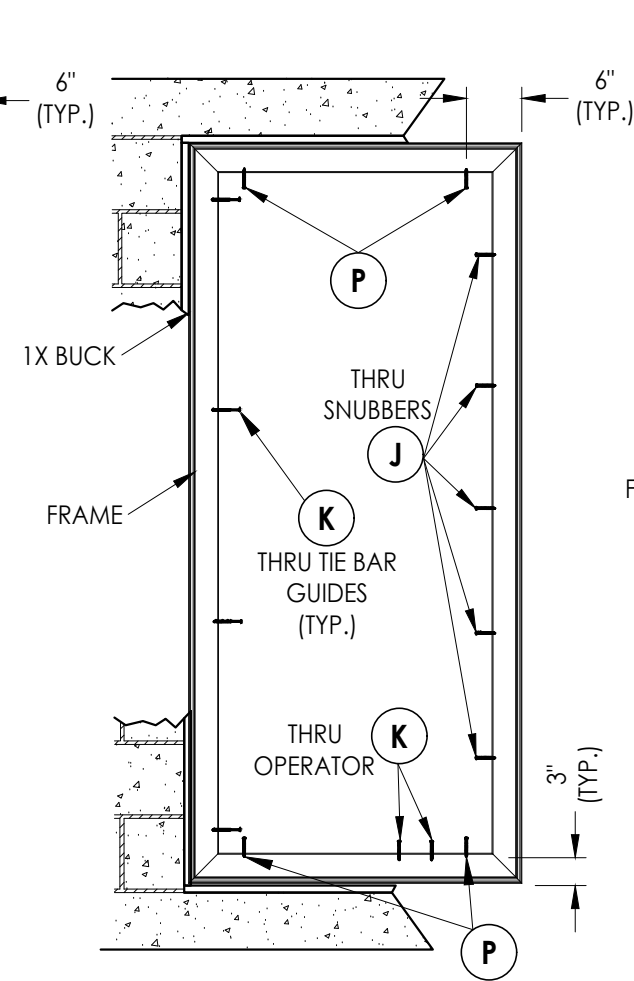
DATE: 8/2/12  
SCALE: N.T.S.  
DWG. BY: JK  
CHK. BY: LFS  
DRAWING NO.: FL-15817.1  
SHEET 3 OF 5



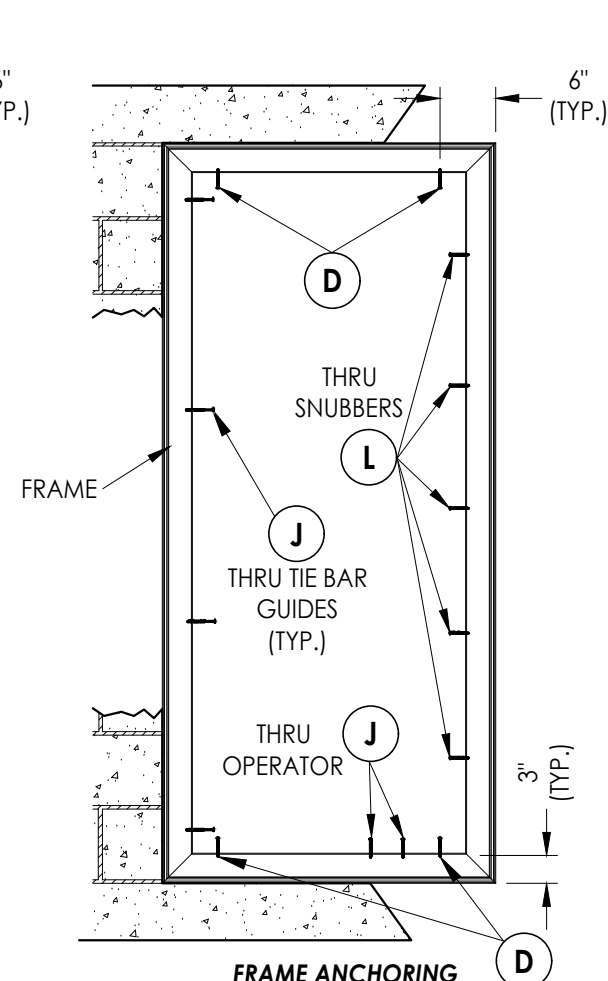
**BUCK ANCHORING**



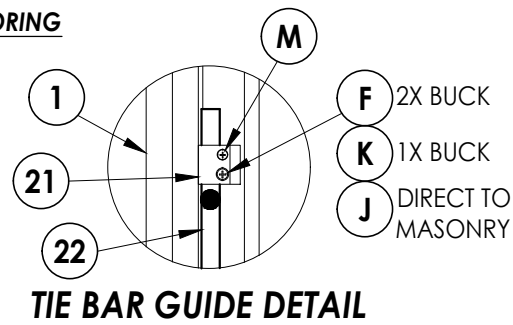
**FRAME ANCHORING**  
2X Buck



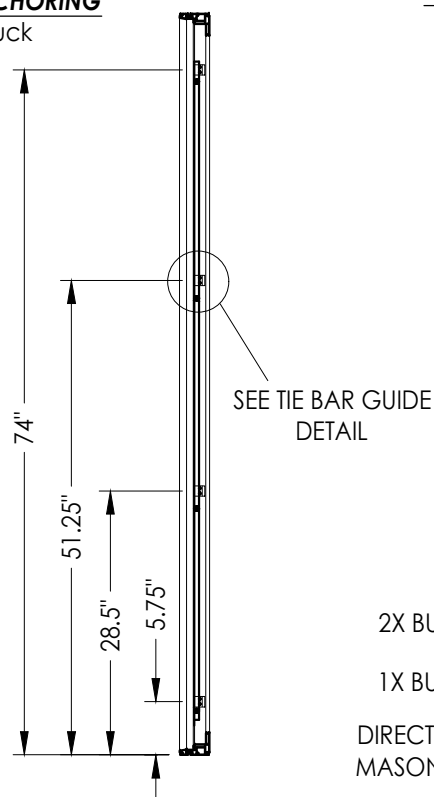
**FRAME ANCHORING**  
1X Buck



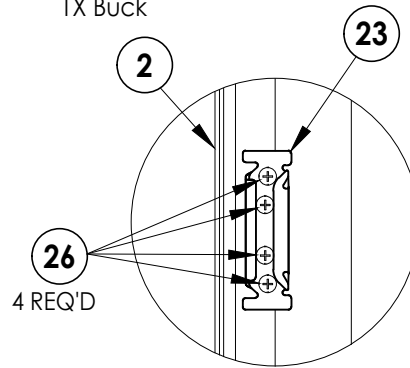
**FRAME ANCHORING**  
Direct to Masonry



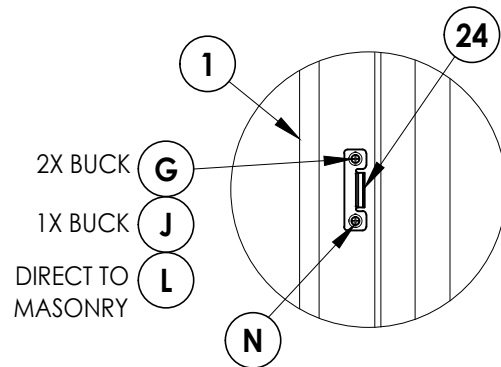
**TIE BAR GUIDE DETAIL**



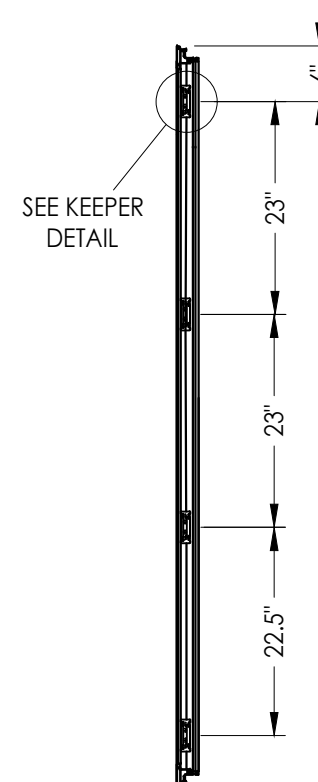
**TIE BAR GUIDE LOCATIONS**  
4 Total



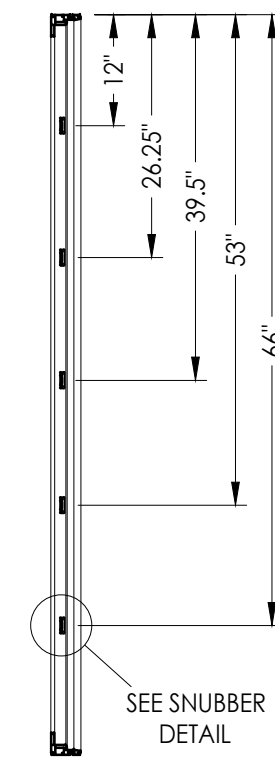
**KEEPER DETAIL**



**SNUBBER DETAIL**



**KEEPER LOCATIONS**  
4 Total



**SNUBBER LOCATIONS**  
5 Total

**CONCRETE ANCHOR NOTES:**

1. Concrete anchor locations at the corners may be adjusted to maintain the min. edge distance to mortar joints.
2. Concrete anchor locations noted as "MAX. ON CENTER" must be adjusted to maintain the min. edge distance to mortar joints, additional concrete anchors may be required to ensure the "MAX. ON CENTER" dimension are not exceeded.
3. Concrete anchor table:

ANCHOR TYPE	ANCHOR SIZE	MIN. EMBEDMENT	MIN. CLEARANCE TO MASONRY EDGE	MIN. CLEARANCE TO ADJACENT ANCHOR
ITW TAPCON®	1/4"	1-1/4"	2"	4"
DeWALT ULTRACON+	1/4"	1-1/4"	1"	4"

**WOOD SCREW INSTALLATION NOTES:**

1. Maintain a minimum 5/8" edge distance, 1" end distance, & 1" o.c. spacing of wood screws to prevent the splitting of wood.

Documents Prepared By:  
Lyndon F. Schmidt  
P.E. No. 43409

PRODUCT:  
8400 SERIES  
Vinyl Outswing Casement Window

PART OR ASSEMBLY:

BUCK AND FRAME ANCHORING  
(MAX D.P = 50 PSF)

NO.	DATE	BY	REVISIONS
6	7/06/23	LFS	UPDATE TO 8TH ED. (2023) FBC
5	7/02/20	FBC	UPDATE TO 7TH ED. (2020) FBC
4	12/13/19	FBC	UPDATE FOR NEW TESTING
3	6/01/17	FBC	UPDATE TO 6TH ED. (2017) FBC
2	1/28/15	FBC	UPDATE TO 5TH ED. (2014) FBC
1	4/04/13	JK	UPDATED D.P./GLAZING

DATE: 8/2/12

SCALE: N.T.S.

DWG. BY: JK

CHK. BY: LFS

DRAWING NO.:

FL-15817.1

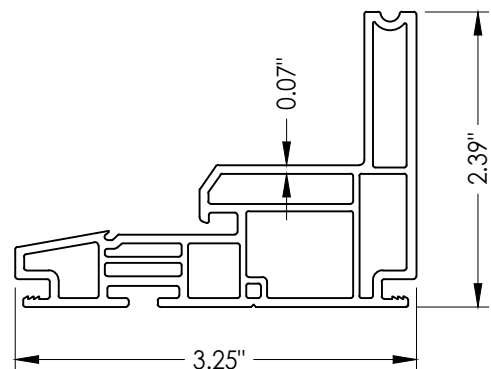
SHEET 4 OF 5

**RW** BUILDING CONSULTANTS, INC.  
P.O. Box 230, Vairico, FL 33595  
Phone No.: 813.659.9197  
FBPE Registry No. 9813

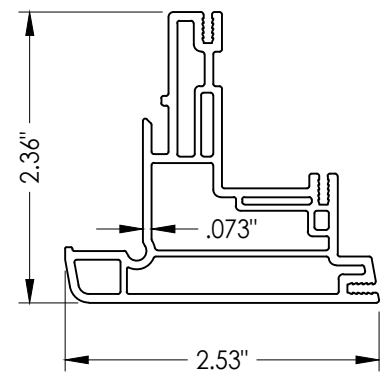
**BILL OF MATERIALS**

ITEM #	DESCRIPTION	MATERIAL
A	1X BUCK SG >= 0.42	WOOD
B	2X BUCK SG >= 0.42	WOOD
C	1/4" MAX. SHIM SPACE	-
D	1/4" X 2-3/4" PFH DeWALT OR ITW CONCRETE SCREW	STEEL
E	MASONRY - 3,000 PSI MIN. CONCRETE CONFORMING TO ACI 301 OR HOLLOW BLOCK CONFORMING TO ASTM C90	CONCRETE
F	#8 X 3" FH WOOD SCREW (1-1/4" MIN. EMB. @ JAMB, 7/8" @ SILL)	STEEL
G	#8 X 2" PH WOOD SCREW (1-1/8" MIN. EMBEDMENT)	STEEL
H	#8 X 2-1/2" MODIFIED TRUSS HEAD WOOD SCREW (1-1/8" MIN. EMBEDMENT)	STEEL
J	3/16" X 3-1/4" PFH ITW CONCRETE SCREW	STEEL
K	3/16" X 3-3/4" PFH ITW CONCRETE SCREW	STEEL
L	3/16" X 2-1/4" PFH ITW CONCRETE SCREW	STEEL
M	#8 X 1" PFH WOOD SCREW	STEEL
N	#8 X 3/4" PPH SMS	STEEL
P	1/4" X 3-3/4" PFH DeWALT OR ITW CONCRETE SCREW	STEEL
1	FRAME*	PVC
2	SASH*	PVC
3	GLAZING BEAD*	PVC
7	WEATHERSTRIP AMESBURY (CS 120 33-SEAL)	FOAM
8	WEATHERSTRIP AMESBURY (12300 SEAL)	VINYL
9	WEATHERSTRIP ULTRA FAB .250 (PILE - 250 - KP52)	VINYL
10	MULTI-POINT LOCK (TRUTH) W1495-20	-
12	OPERATOR (TRUTH) 2003587	-
21	TIE BAR GUIDE (TRUTH) 2008741	-
22	TIE BAR (TRUTH) WCMS4734003	-
23	KEEPER (TRUTH) W1495-01W11	-
24	SNUBBER (TRUTH) (SASH/FRAME) WCS1-1496-85	-
26	#8 X 3/4" PFH SMS	S.S.

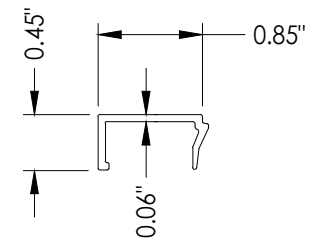
\* THE APPROVED WHITE RIGID PVC EXTERIOR EXTRUSIONS FOR WINDOWS ARE TO BE PRODUCED BY EXTRUDERS LICENSEES IN "AAMA CERTIFICATION PROGRAMS FOR RIGID PVC EXTRUSIONS".



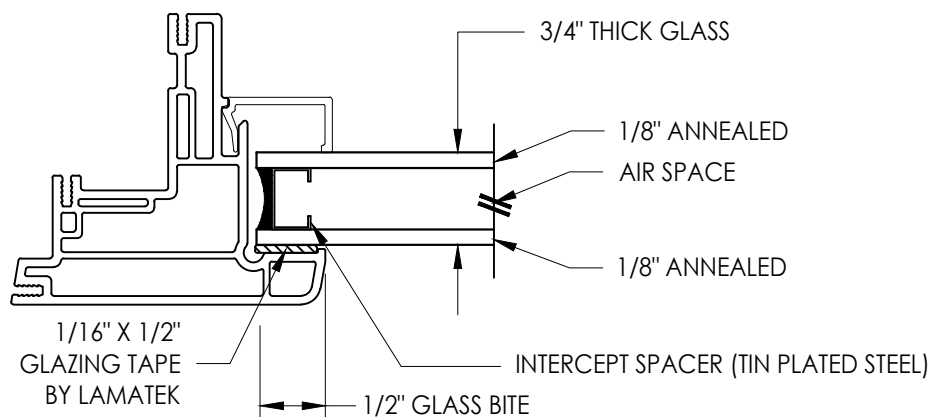
**1 FRAME**



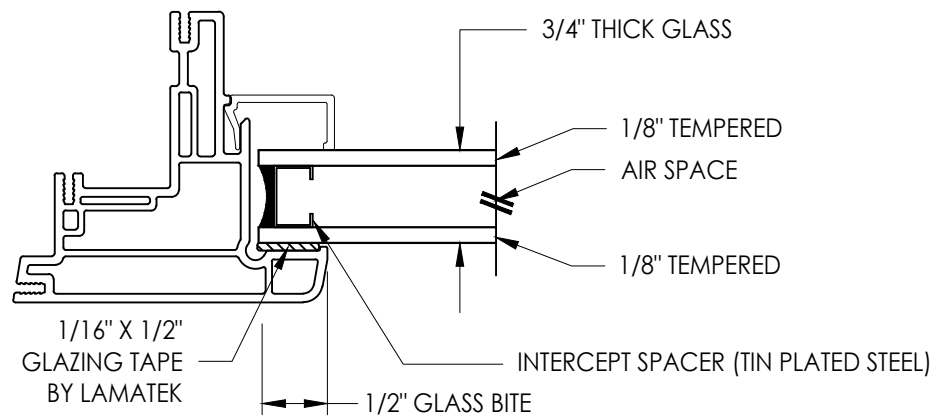
**2 SASH**



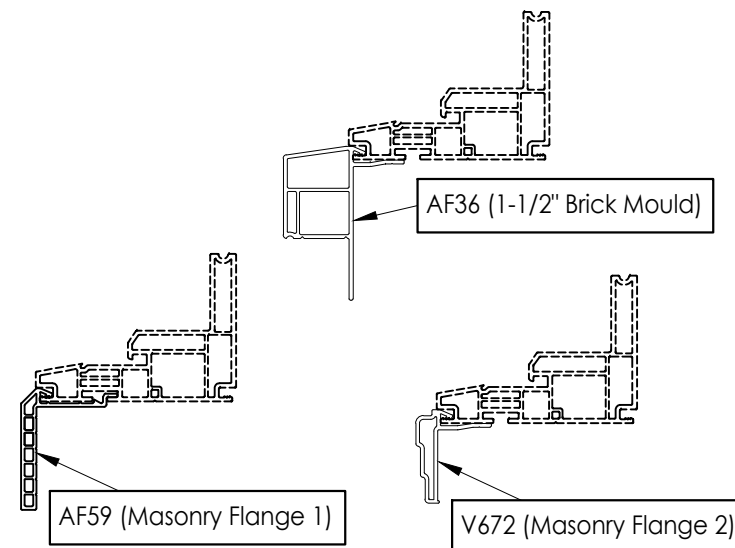
**3 GLAZING BEAD**



**G1 GLAZING DETAIL**



**G2 GLAZING DETAIL**



**OPTIONAL COSMETIC FLANGES**

Documents Prepared By:  
Lyndon F. Schmidt  
P.E. No. 43409

**RW** BUILDING CONSULTANTS, INC.  
P.O. Box 230, Vairico, FL 33595  
Phone No.: 813.659.9197  
FBPE Registry No. 9813

PRODUCT: 8400 SERIES Vinyl Outswing Casement Window  
PART OR ASSEMBLY: BILL OF MATERIALS, COMPONENTS AND GLAZING DETAIL

NO.	DATE	REVISIONS
6	7/06/23	UPDATE TO 8TH ED. (2023) FBC
5	7/02/20	UPDATE TO 7TH ED. (2020) FBC
4	12/13/19	UPDATE FOR NEW TESTING
3	6/01/17	UPDATE TO 6TH ED. (2017) FBC
2	1/28/15	UPDATE TO 5TH ED. (2014) FBC
1	4/04/13	UPDATED D.P./GLAZING

DATE: 8/2/12  
SCALE: N.T.S.  
DWG. BY: JK  
CHK. BY: LFS  
DRAWING NO.: FL-15817.1  
SHEET 5 OF 5